



RR4DJWS2

Compact DJ Work Station with
with 3U vertical bottom rack,
4U slanted middle rack and 2U
slanted top rack



Rugged Road Ready Features

- * Beefy, Stackable Ball Corners
- * Double Anchor Industrial Rivets
- * Recessed, Industrial Grade Latches
- * Industrial Grade Rubber Feet
- * Premium 3/8" Vinyl Laminated Plywood
- * Tongue and Groove Locking Fit
- * Rear Hinged Access Door
- * Heavy Duty Rack Rails
- * Mounting Hardware Included
- * ATA 300 Rating
- * Road Ready Limited Lifetime Warranty

Product Dimensions

Shipping Dimensions (inch): 22 x 21.5 x 20

Shipping Weight (lbs): 41.4

Product Dimensions (inch): 21.2 x 20.6 x 20

Product Weight (lbs):39

Shipping Dimensions (cm): 560 x 540 x 510

Shipping Weight (kg): 18.8

Product Dimensions (cm): 540 x 524 x 510

Product Weight (kg): 17.5

Forged out of the toughest materials around and ready to hit the road, the RR4DJWS2 compact DJ workstation is built smart with our 3 level design that includes a 2-space vertical bottom rack, a 4U slanted middle rack for a more compact design, and a 2U slanted top rack. For added comfort we even included a unique rear hinged door for easy connections to your gear

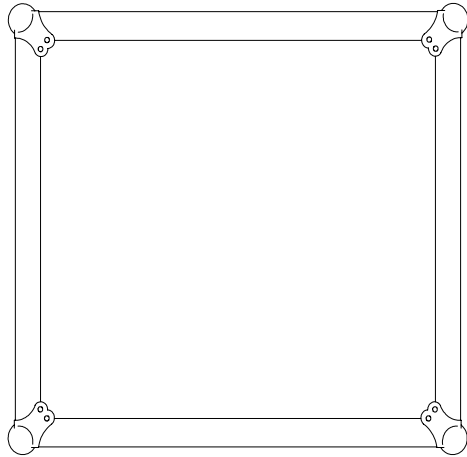
Road Ready Cases

1226 Corral Place * Santa Fe Springs, CA 90670

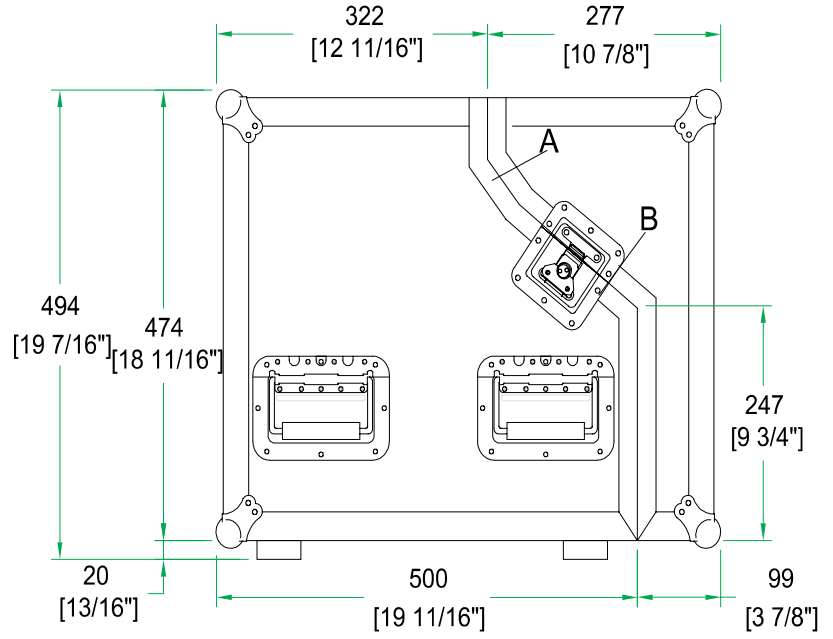
ph: 562.906.6185 * fax: 562.906.6186

WWW.ROADREADYCASES.COM

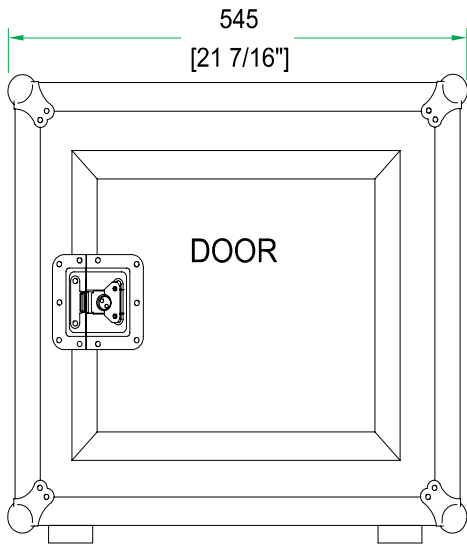
RR4DJWS2



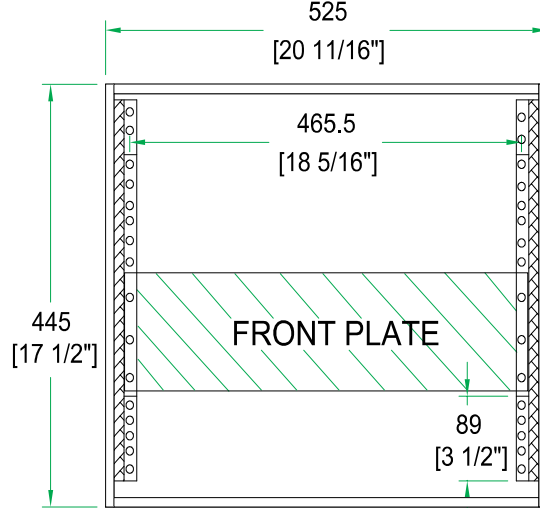
FRONT VIEW



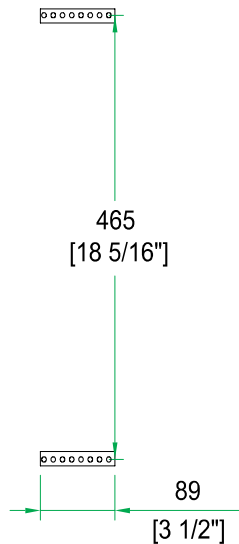
LEFT VIEW



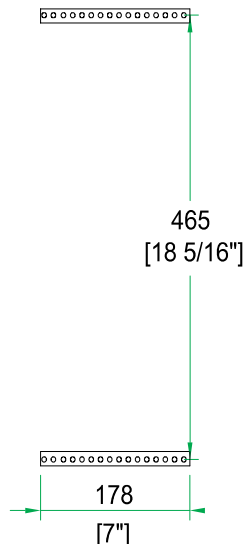
BACK VIEW



INSIDE VIEW



A VIEW



B VIEW