



Rugged Road Ready Features

- * Beefy, Stackable Ball Corners
- * Double Anchor Industrial Rivets
- * Recessed, Industrial Grade Latches
- * Recessed, Spring Loaded Handles
- * Industrial Grade Rubber Feet
- * Premium 3/8" Vinyl Laminated Plywood
- * Tongue and Groove Locking Fit
- * Heavy Duty Rack Rails
- * Mounting Hardware Included
- * Shock Mount Technology
- * ATA 300 Rating
- * Road Ready Limited Lifetime Warranty

Product Dimensions

Shipping Dimensions (inch): 25.7 x 26.1 x 21.5

Shipping Weight (lbs): 86.9

Product Dimensions (inch): 25.1 x 25.5 x 20.6

Product Weight (lbs): 83.6

Shipping Dimensions (cm): 65.5 x 66.5 x 54

Shipping Weight (kg): 39.5

Product Dimensions (cm): 64 x 65 x 52.4

Product Weight (kg): 38

RR8UADS

8U Shock Mount Amplifier Rack Case

PICTURE COMING SOON!

Built to take a pounding and come back for more, the RR8UADS protects your gear from even the most ground-breaking abuse. Crafted with our exclusive case-within-a case design that features an unique integral suspension system the RR8UADS provides unparallel protection against even the most rigorous trauma. Built smart with dual rack rails for flexibility (mounted front and back an 16 1/4" rack depth) and two removable covers for easy access to your gear, the RR8UADS features 8U 's of rack space. Bring it on!

- * Premium 3/8" Vinyl Laminated Plywood
- * Tongue and Groove Locking Fit
- * Heavy Duty Rack Rails
- * Mounting Hardware Included
- * Shock Mount Technology
- * ATA 300 Rating

Need Optinal Road Ready Accessories to help outfit your Amp Rack? Check out our Road Ready Caster Kit (RRWAD) or our rolling base with storage drawer (RR6WD)

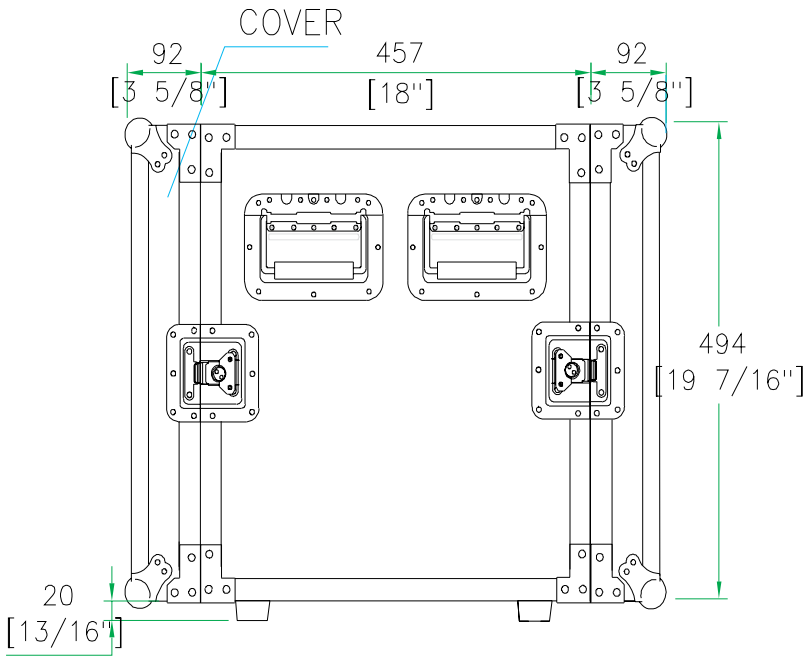
Road Ready Cases

I226 Corral Place * Santa Fe Springs, CA 90670

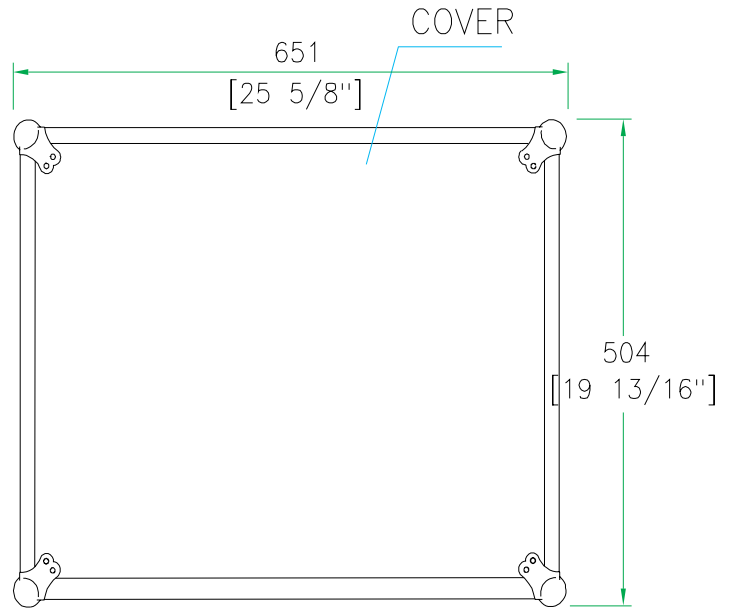
ph: 562.906.6I85 * fax: 562.906.6I86

WWW.ROADREADYCASES.COM

RR8UADS

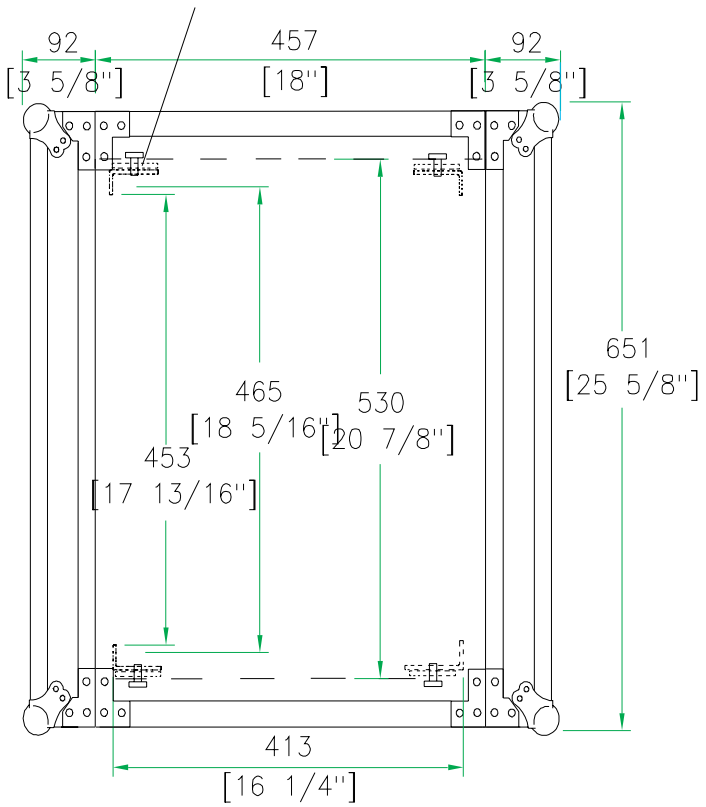


SIDE VIEW

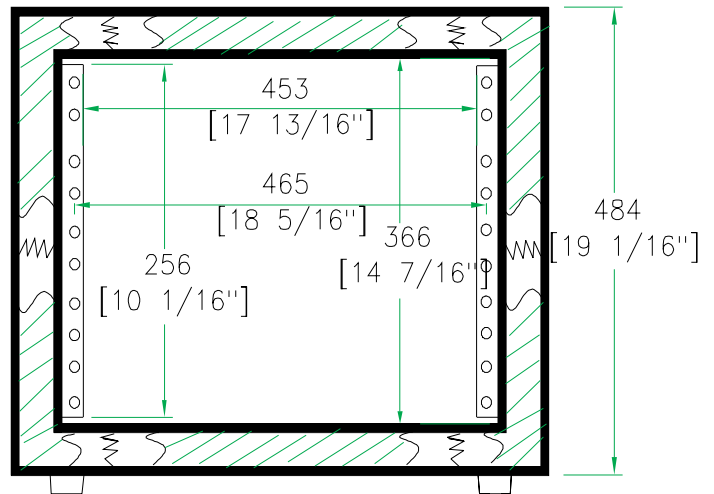


FRONT VIEW

RACK RAIL IN THE INNER CASE



TOP VIEW



INSIDE VIEW