



Built for the rigors
of the road

cases • racks • stands
**Road
Ready**
www.roadreadycases.com

Rugged Road Ready Features

- * Beefy, Stackable Ball Corners
- * Double Anchor Industrial Rivets
- * Recessed, Industrial Grade Latches
- * Recessed, Spring Loaded Handles
- * Industrial Grade Rubber Feet
- * Premium 3/8" Vinyl Laminated Plywood
- * Tongue and Groove Locking Fit
- * ATA 300 Rating
- * Road Ready Limited Lifetime Warranty

Product Dimensions

Shipping Dimensions (inch): 29.9 x 22.6 x 26.5

Shipping Weight (lbs): 55

Product Dimensions (inch): 29.3 x 22 x 25.7

Product Weight (lbs): 52.8

Shipping Dimensions (cm): 76 x 57.5 x 67.5

Shipping Weight (kg): 25

Product Dimensions (cm): 74.5 x 56 x 65.5

Product Weight (kg): 24

RRHUT1E

ECONO HALF TRUNK



Because sometimes you don't need to take it all with you, we created our RRHUT1E half trunks (same smart design, but half the size of our RRUT1E full trunk). This smaller more civilized version is the perfect answer for lighter road trips and nights out on the town. And as an added bonus, two of these little guys can be stack on top of their big brother the RRUT1E for easy traveling. And the RRHUT1E's are Truck Pack ready and fit into standard trucks with ease. Brains and Brawn!

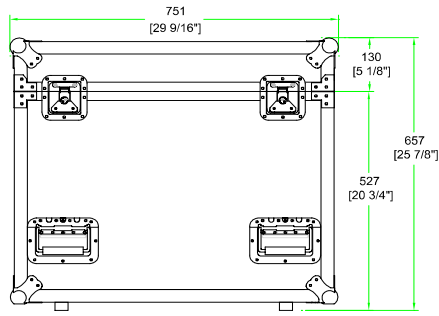
Road Ready Cases

1226 Corral Place * Santa Fe Springs, CA 90670

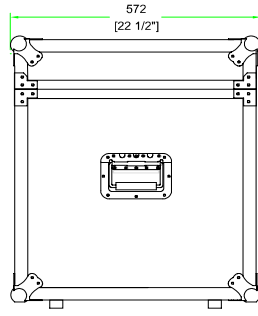
ph: 562.906.6185 * fax: 562.906.6186

WWW.ROADREADYCASES.COM

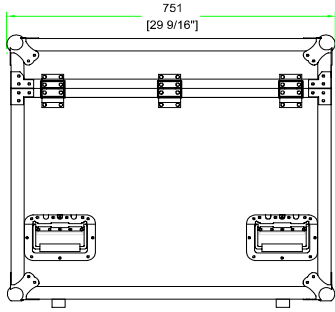
RRHUT1E



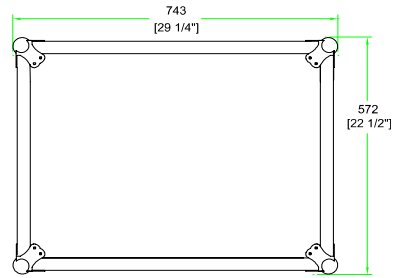
FRONT VIEW



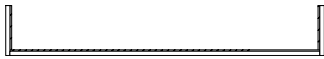
LEFT VIEW



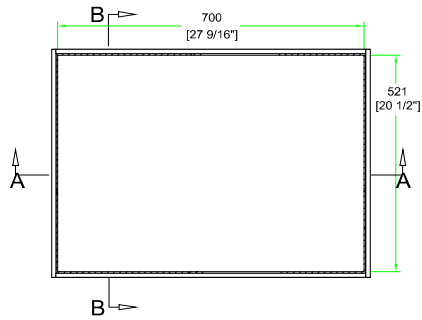
BACK VIEW



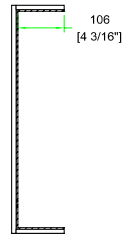
TOP VIEW



A-A VIEW



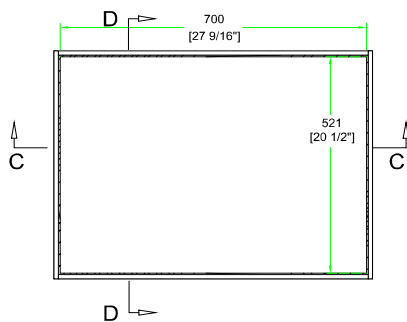
TOP VIEW OF COVER



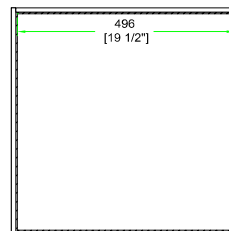
B-B VIEW



C-C VIEW



TOP VIEW OF BASE



D-D VIEW