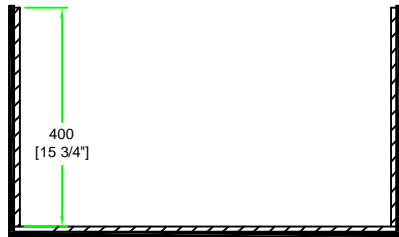
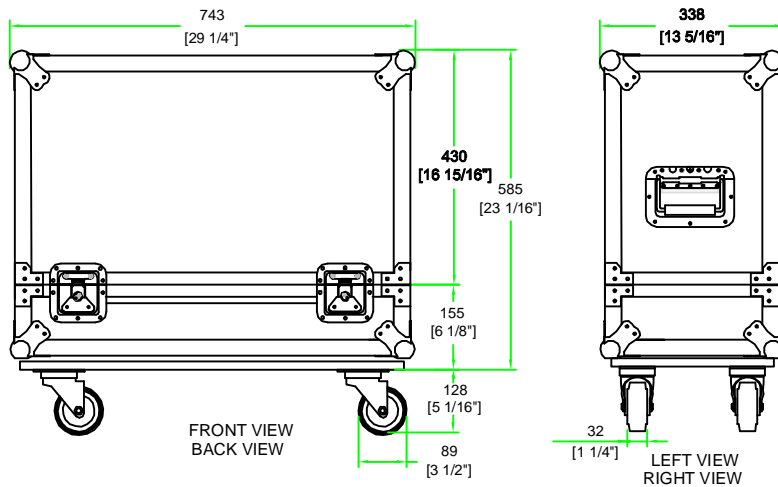
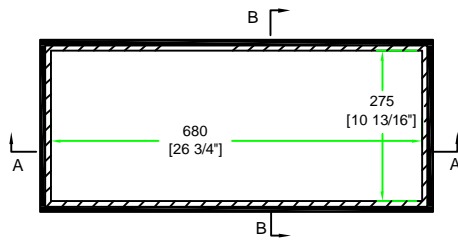


RR65TWINC



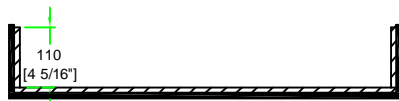
A-A VIEW



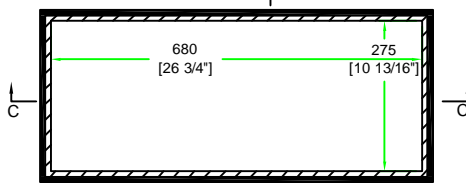
TOP VIEW OF COVER



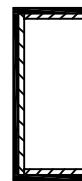
B-B VIEW



C-C VIEW



TOP VIEW OF BASE



D-D VIEW

Signature of Approval

Printed Name

2008-06-26