



Rugged Road Ready Features

- * Beefy, Stackable Ball Corners
- * Double Anchor Industrial Rivets
- * Recessed, Industrial Grade Latches
- * Recessed Industrial Grade Handles
- * Industrial Grade Rubber Feet
- * Premium 3/8" Vinyl Laminated Plywood
- * Tongue and Groove Locking Fit
- * Low Profile Base
- * 3 1/2" Industrial Grade Caster
- * ATA 300 Rating
- * Road Ready Limited Lifetime Warranty

Product Dimensions

Shipping Dimensions (inch): 34.4 x 18.1 x 23.6

Shipping Weight (lbs): 66

Product Dimensions (inch): 33.9 x 17.9 x 22.7

Product Weight (lbs): 64.9

Shipping Dimensions(cm):87.5 x 46 x 60

Shipping Weight (kg):30

Product Dimensions (cm):86.2 x 45.5 x 57.7

Product Weight (kg): 29.5

RRGC212C

Case for Guitar Combos w/ 2 x12" Speakers
and Caster



Rock out and party like a rock star with the RRGC212C Guitar Amp Combo Case. Designed to accommodate various 2 x 12" guitar amp combos including Fender, VOX, Marshall, Line, Rivera, Ampeg and others, the RRGC212C features our high-density Z-Lock Foam inserts so that creating the perfect custom space for your amp combo is a snap! Simply add or remove layers of our Z-Lock Foam to create the perfect fit (min dimensions: 16 " L x 18 " W x 9 " H , max. dimensions: 21.89 " L x 25 3/8 " W x 13" H). And to keep the good times rolling, we designed this rocker with a low profile base for easy access and included a caster for easy transportation.

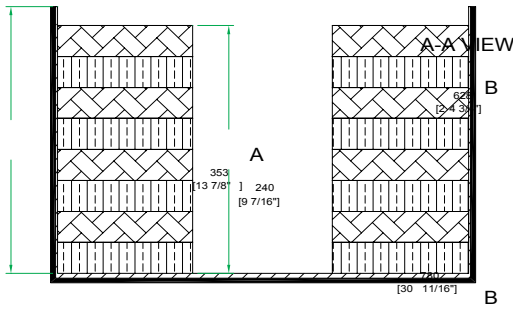
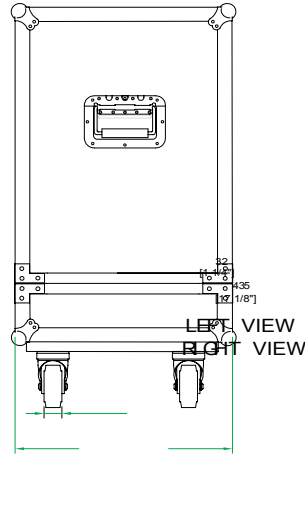
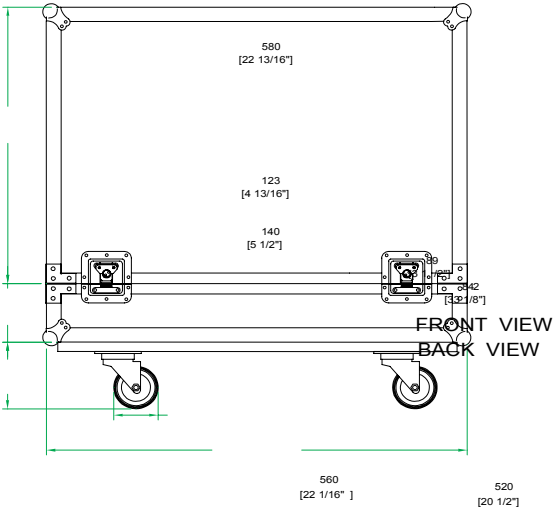
Road Ready Cases

1226 Corral Place * Santa Fe Springs, CA 90670

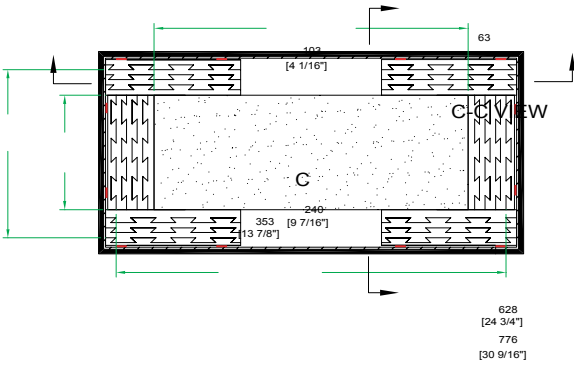
ph: 562.906.6185 * fax: 562.906.6186

WWW.ROADREADYCASES.COM

RRGC212C



TOP VIEW OF COVER



TOP VIEW OF BASE

