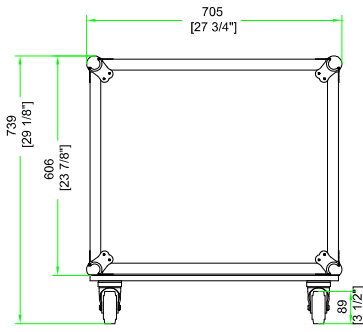
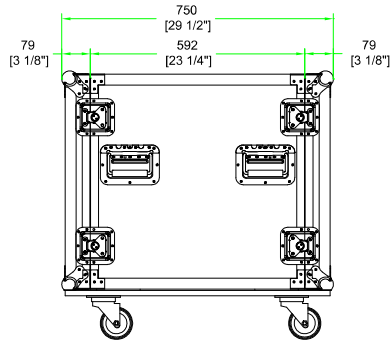


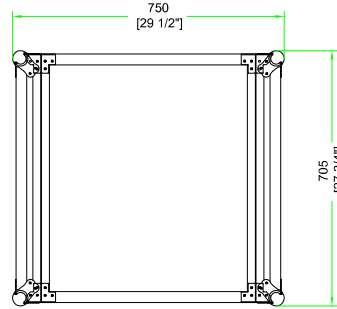
RRMESARACK



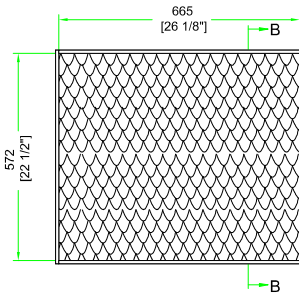
FRONT VIEW
BACK VIEW



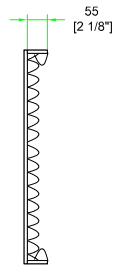
LEFT VIEW
RIGHT VIEW



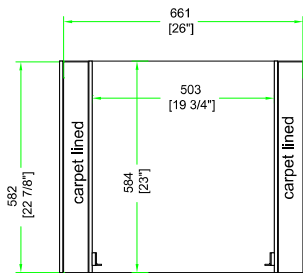
TOP VIEW



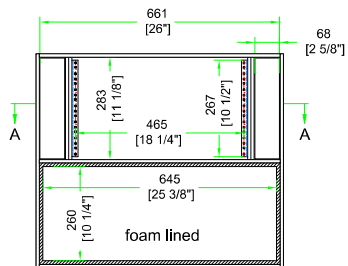
TOP VIEW OF COVER



B-B VIEW



A-A VIEW



TOP VIEW OF BASE

Signature of Approval

Printed Name