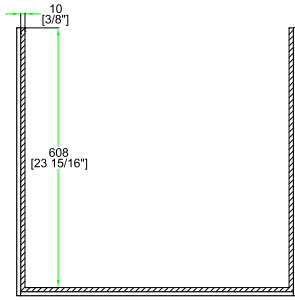
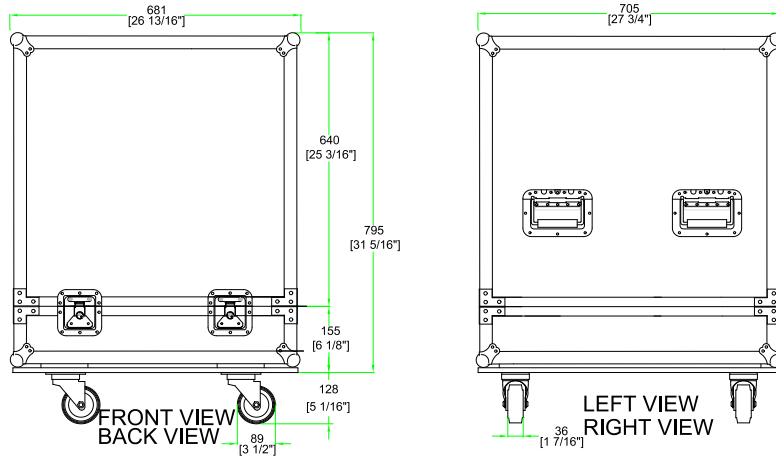
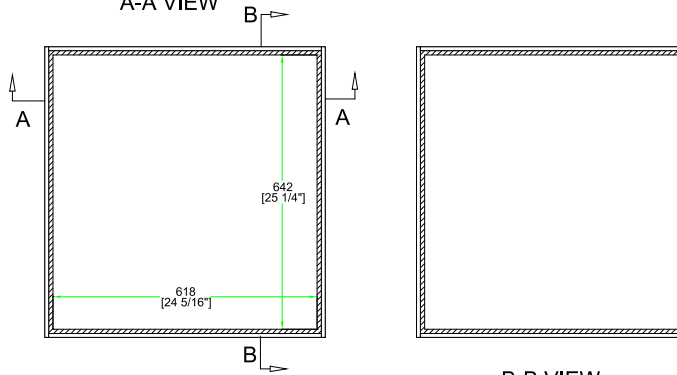


RRS410SC



A-A VIEW

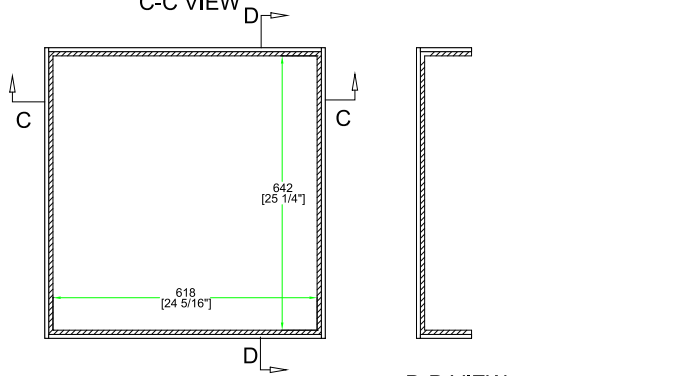


TOP VIEW OF COVER

B-B VIEW



C-C VIEW



TOP VIEW OF BASE

D-D VIEW

Signature of Approval

Printed Name: 008-03-17