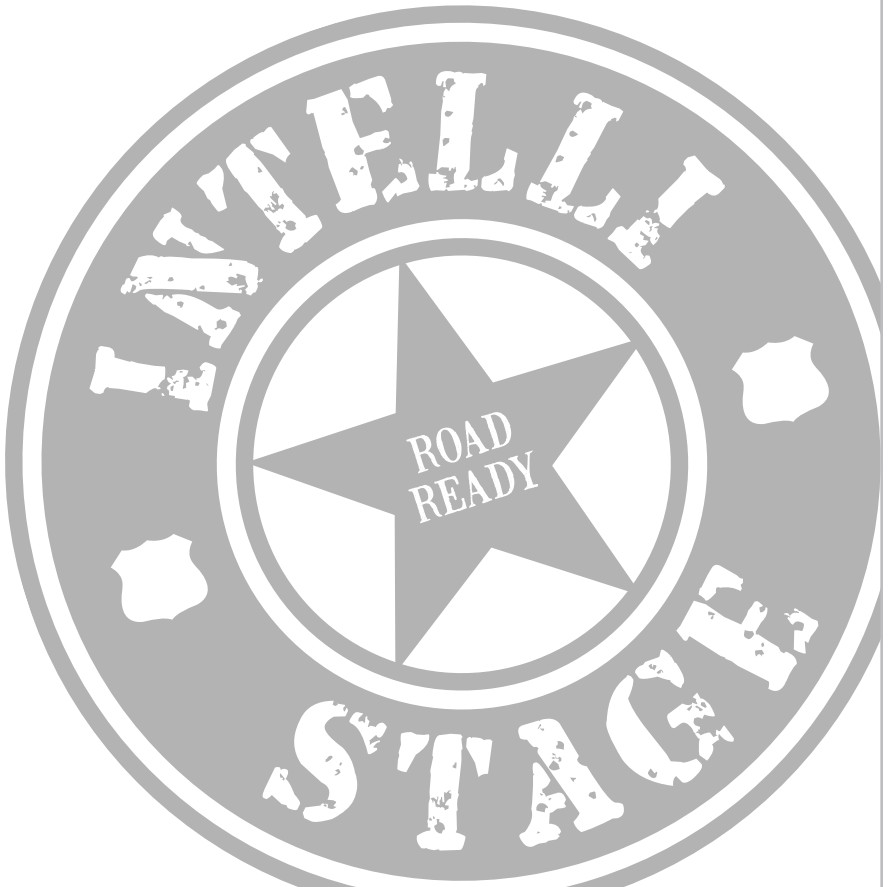


IntelliStage

Caster Board System

by Road Ready





IntelliStage

Caster Board System

by Road Ready

Contents

Introduction	1
About IntelliStage	1
Safety	1
Features	2
Components	2
Assembly	3
Assembly Cont	4
Adding an Accessory Case	4
Sizes and Configurations (U.S. & European)	5
Warranty	5
Compatibility	6

Introduction

Thank you for being a **Road Ready IntelliStage** customer and welcome to the family.

We do one thing and do it well – build products that make your life easier. Crafting innovative, quality products is our calling and we take it seriously. Strong, lightweight and versatile, **IntelliStage** products are crafted out of the finest materials available and put through our grueling 3 step quality check before it ships out the door.

We thank you for your purchase and know that your **IntelliStage** system will definitely steal the show! However, if you should require any assistance or service, you'll find that we take as much pride in supporting our products as we do in designing and building them.

About Intellistage

Perfect for schools, houses of worship, hotels, event organizers and more, **IntelliStage** portable stage systems are the ultimate in portability and convenience. Consisting of modular, lightweight platforms and risers that can be combined to create custom stages in various heights and configurations. Easily assembled by a single person, each platform and riser are fastened together using our unique internal locking system and each platform can bear weight up to 185 lbs/sq. ft. (900 kgs/sq. meter).

When it's time to break down, you'll find that disassembly and storage are equally convenient. **IntelliStage** systems are available in kits that include compact storage flight cases or caster boards that will transport your stage just about anywhere.



Important Safety Instructions:

- 1.) Read and follow these instructions
- 2.) Do not exceed the maximum platform capacity
- 3.) Completely secure all panels before moving
- 4.) Assemble and use on flat surfaces only
- 5.) Do not use with different or mixed sized platforms

Application:

This guide is designed for the following products: **ISE1CB, ISE2CB, IS3X3CB, IS4X4CB, ISE1X1AC, ISE2X1AC, IS3X3AC** and **IS4X4AC**.

Features:

Caster Boards: ISE1CB, ISE2CB, IS3X3CB, IS4X4CB

Box Contains: 2 caster boards & 2 ratchet buckles with straps

- Ease of transport and compact storage
- Heavy-duty 4" casters with breaks.
- Strong ratchet buckles and straps to secure platforms & accessory cases
- Corners with locking mechanism to secure base platform
- 3/8" Plywood construction painted black

Accessory Cases: ISE1X1AC, ISE2X1AC, IS3X3AC, IS4X4AC

Box Contains: 1 accessory case

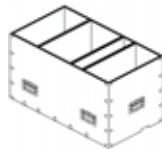
- Divided for easy arrangement of risers, skirts and hardware.
- Open top design to fit other accessories as well
- Mounting slot for attachment on the top of platform stack
- 3/8" Plywood construction painted black

Components:

Putting together your IntelliStage caster board system requires that you familiarize yourself with the following components.



A.) Platform



B.) Accessory Case



C.) Caster Boards



D.) Ratchet Buckles and Straps



E.) Hex Key and Corner Locking Post

A.) Platform – One IntelliStage platform is required to form the base caster board configuration.

B.) Accessory Case – Used to house risers, skirts, other hardware & accessories.

C.) Caster Boards – 2 per moving system.

D.) Ratchet Buckles and Straps – Secures the platforms and allows for the attachment of accessory cases (2 per system).

E.) Hex Key and Corner Locking Post – Used to secure the base platform to the caster board.

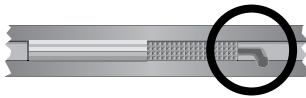
Assembly

Getting your caster board system ready to roll is as easy as following these simple steps.

What You'll Need:

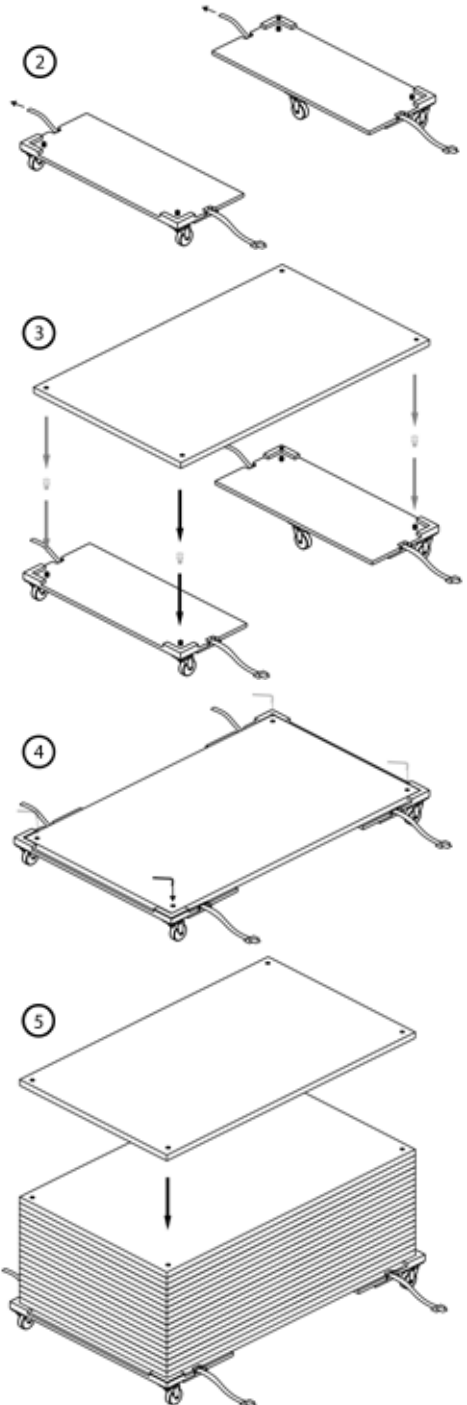


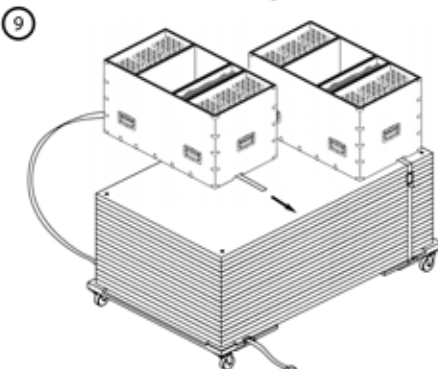
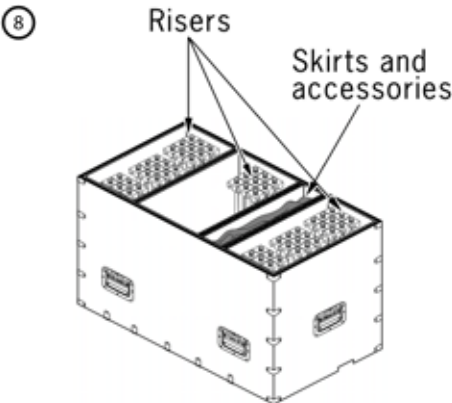
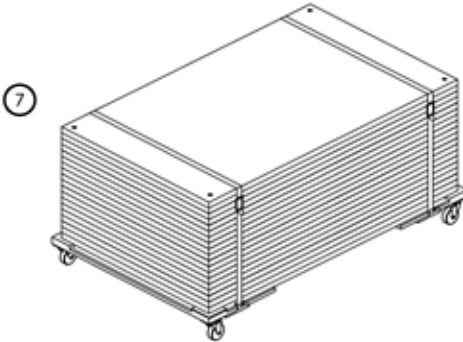
Hex Key



Note: You'll find the hex key in the foam key holder in the groove next to the platform locking mechanism indicated by the arrow on the bottom of the platform.

- 1.) Unpack all hardware
- 2.) Feed straps through the caster boards as shown.
- 3.) Screw the corner locking posts into the caster board. Place a single platform onto the boards lining up the platform's corner holes with the caster board's corner locking posts.
- 4.) Secure the caster board to the platform by using the hex key from the IntelliStage platform by turning the locking posts at each corner clockwise.





Assembly Cont.

5.) Place additional IntelliStage platforms on top of the base platform. Do not exceed maximum number of platforms.

Maximum number of stacked platforms

1 x 1 meter	36pcs
2 x 1 meter	20pcs
3 x 3 feet	36pcs
4 x 4 feet	24pcs

Warning:

Do not use castor boards with different or mixed sized platforms.

6.) Feed straps through the center of the ratchet buckles. Open and close the buckles until straps are tight. To release the straps open the buckle and release the tensioner.

7.) If you do not wish to place an accessory case on top of the castor board system, you are done and ready to roll.

Accessory Case

To place an accessory case on top of the castor board system go back to **Step 5** and then follow these instructions.

8.) Load accessories as shown.

9.) Place either one or two accessory cases on top of the platforms and feed the straps through the slot on the case. Secure the accessory case and platforms by tightening the straps using the ratchet locking mechanism as shown in **Step 6**.

You are now finished attaching your accessory case(s) to your castor board system.

Sizes & Configurations (U.S.)

Caster Boards

IS3X3CB	Caster Board for 3' x 3' Platforms
IS4X4CB	Caster Board for 4' x 4' Platforms

Accessory Cases

IS3X3AC	Accessory Case for 3' x 3' Platforms
IS4X4AC	Accessory Case for 4' x 4' Platforms

Sizes & Configurations (European)

Caster Boards

ISE1CB	Caster Board for 1m x 1m Platforms
ISE2CB	Caster Board for 2m x 1m Platforms

Accessory Cases

ISE1X1AC	Accessory Case for 1m x 1m
ISE2X1AC	Accessory Case for 2m x 1m

Limited 2 Year Warranty

Road Ready warrants to the original owner of each new IntelliStage product, for a period of 2 years from the date of purchase, (provided that is purchased at an Authorized Road Ready Dealer) that is free of defects in materials and workmanship and that each product meets or exceeds all factory published specifications. This warranty is void if the product has been tampered with or misused beyond reasonable wear, and shall not apply if the product has been physically damaged. Improper handling, set-up or use of this unit could cause it to fail which could lead to serious injury or death. Please be sure to read, understand and follow all operating instructions and weight load information in this manual before using this product. Do not allow children or untrained persons to use this product. There are no obligations of liability on the part of Road Ready for any personal injuries, death, consequential damage or any other indirect damages with respect to, loss of property, revenues, profit or costs of removals, installations or reinstallations arising out of, or in connection with, the use or performance of an IntelliStage product.

Component Compatibility Matrix	Platforms				Caster Boards			Carrying Capacity
	U.S.		European		U.S.	European		
	3X3 FEET	4X4 FEET	1X1 METER	2X1 METER	IS3X3CB	IS4X4CB	ISE1CB	
Caster Boards								
IS3X3CB	X							36pcs
IS4X4CB		X						24pcs
ISE1CB			X					36pcs (1x1)
ISE2CB				X				20pcs (2x1)
Accessory Cases								
IS3X3AC	X				X			18 Risers, Skirts
IS4X4AC		X				X		12 Risers, Skirts
ISE1X1AC			X				X	18 Risers, Skirts
ISE2X1AC				X			X	10 Risers, Skirts



Road Ready Cases

12662 Corral Place ★ Santa Fe Springs CA 90670

Ph: 562.906.6185 ★ Fax: 562.906.6186

Email: usa@roadreadycases.com ★ www.roadreadycases.com